

PARTS LIST

CAUTION

- The parts identified by the \triangle symbol are important for the safety. Whenever replacing these parts, be sure to use specified ones to secure the safety .
- The parts not indicated in this Parts List and those which are filled with lines — in the Parts No. columns will not be supplied.
- P. W. Board Ass'y will not be supplied, but those which are filled with the Parts No. in the Parts No. columns will be supplied.

ABBREVIATIONS OF RESISTORS, CAPACITORS AND TOLERANCES

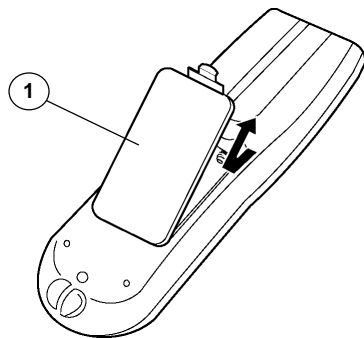
RESISTORS		CAPACITORS	
C R	Carbon Resistor	C CAP.	Ceramic Capacitor
F R	Fusible Resistor	E CAP.	Electrolytic Capacitor
P R	Plate Resistor	M CAP.	Mylar Capacitor
V R	Variable Resistor	HV CAP.	High Voltage Capacitor
HV R	High Voltage Resistor	MF CAP.	Metalized Film Capacitor
MF R	Metal Film Resistor	MM CAP.	Metalized Mylar Capacitor
MG R	Metal Glazed Resistor	MP CAP.	Metalized Polystyrol Capacitor
MP R	Metal Plate Resistor	PP CAP.	Polypropylene Capacitor
OM R	Metal Oxide Film Resistor	PS CAP.	Polystyrol Capacitor
CMF R	Coating Metal Film Resistor	TF CAP.	Thin Film Capacitor
UNF R	Non-Flammable Resistor	MPP CAP.	Metalized Polypropylene Capacitor
CH V R	Chip Variable Resistor	TAN. CAP.	Tantalum Capacitor
CH MG R	Chip Metal Glazed Resistor	CH C CAP.	Chip Ceramic Capacitor
COMP. R	Composition Resistor	BP E CAP.	Bi-Polar Electrolytic Capacitor
LPTC R	Linear Positive Temperature Coefficient Resistor	CH AL E CAP.	Chip Aluminum Electrolytic Capacitor
		CH AL BP CAP.	Chip Aluminum Bi-Polar Capacitor
		CH TAN. E CAP.	Chip Tantalum Electrolytic Capacitor
		CH AL BP E CAP.	Chip Tantalum Bi-Polar Electrolytic Capacitor

TOLERANCES									
F	G	J	K	M	N	R	H	Z	P
$\pm 1\%$	$\pm 2\%$	$\pm 5\%$	$\pm 10\%$	$\pm 20\%$	$\pm 30\%$	+30% -10%	+50% -10%	+80% -20%	+100% -0%

CONTENTS

- REMOTE CONTROL UNIT PARTS LIST 26
- EXPLODED VIEW PARTS LIST 26
- EXPLODED VIEW 27
- PRINTED WIRING BOARD PARTS LIST
 - MAIN PW BOARD ASS'Y (SFV-1067A-M2) (With CRT SOCKET PW BOARD) 28
- PACKING 31
- PACKING PARTS LIST 31

REMOTE CONTROL UNIT PARTS LIST (RM-C205-1C)

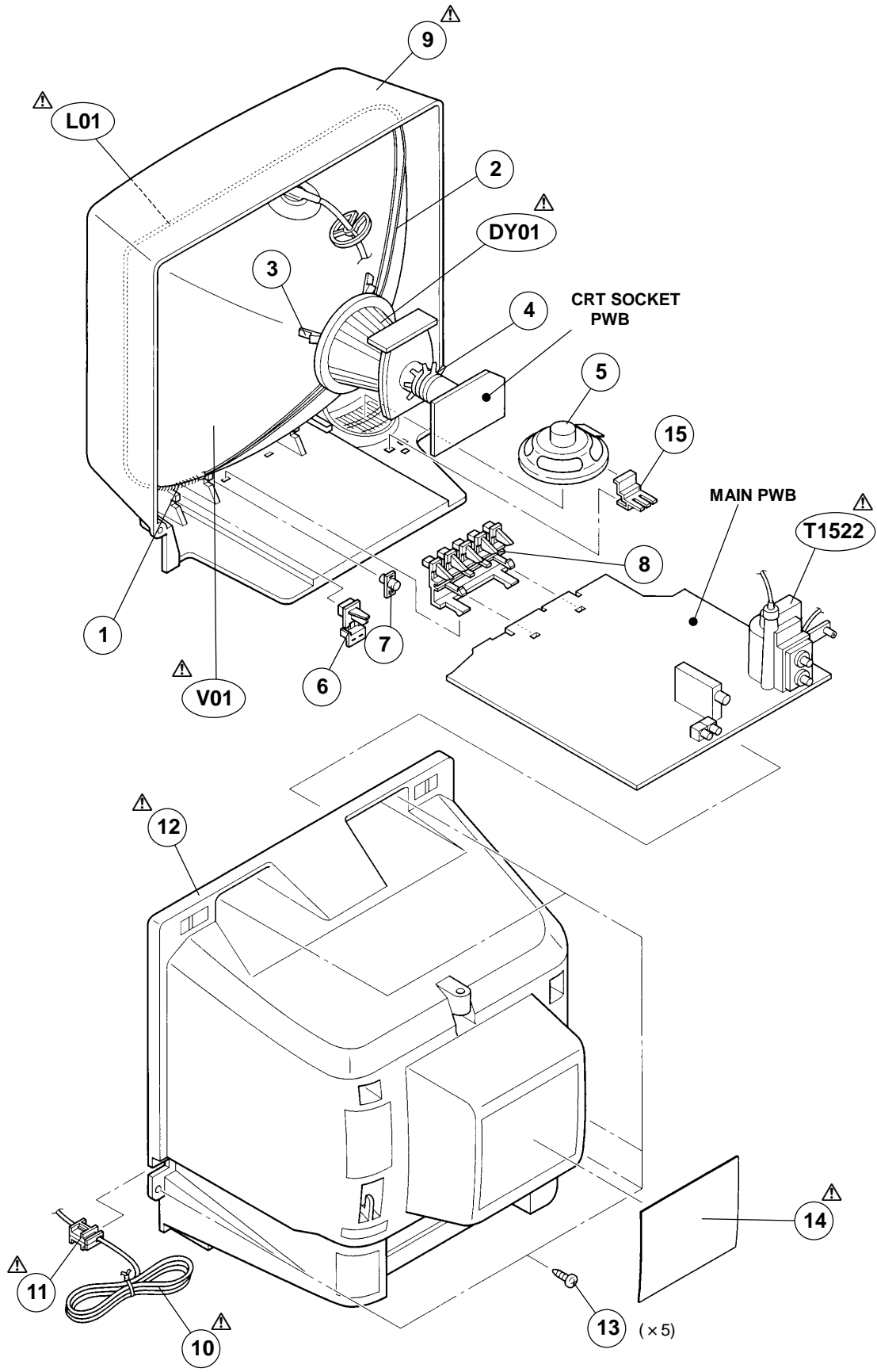


△ Ref.No.	Part No.	Part Name.	Description
1	511A24001	BATTERY COVER	(RM-C205-1C)

EXPLODED VIEW PARTS LIST

△ Ref.No.	Part No.	Part Name	Description
△ V01	A34KQW42X/DT/	PICTURE TUBE(C)	
△ DY01	QQD0002-001	DEF YOKE	
△ L01	QQW0001-001	DEG COIL	
△ T1522	QQH0029-001	H.V. TRANSF.	
1	A48457-4-S	SPRING	
2	CHGB0016-0A	BRAIDED WIRE	
3	CE42153-00AJ1	WEDGE ASSY	(x4)
4	CE42511-00A	P.C. MAGNET	
5	CEBSS08P-01KJ2	SPEAKER	SP01
6	LC30376-004A-A	POWER KNOB	
7	LC30191-001C-A	REMOCN LENS	
8	LC30189-004A-A	CONTROL KNOB	
△ 9	LC10055-010A-A	FRONT CABINET	
△ 10	QMPD200-200-JC	POWER CORD	CN10PW(Within MAIN PWB)
△ 11	LC20106-001D-A	POWER CORD CLAMP	
△ 12	LC10056-001G-A	REAR COVER	
13	QYSBSFG4016Z	TAPPING SCREW	(x5)
△ 14	GQ20001-001A-A	RATING LABEL	
15	LC30335-001A-A	SP HOLDER	

EXPLODED VIEW



PRINTED WIRING BOARD PARTS LIST

MAIN P.W. BOARD ASS'Y (SFV-1067A-M2)

△ Symbol No.	Part No.	Part Name	Description
RESISTOR			
R1003-04	NRSA02J-561X	MG R	560Ω 1/10W J
R1101	NRSA02J-820X	MG R	82Ω 1/10W J
R1102	NRSA02J-562X	MG R	5.6kΩ 1/10W J
R1103	NRSA02J-182X	MG R	1.8kΩ 1/10W J
R1104	QRE121J-101Y	C R	100Ω 1/2W J
R1105	NRSA02J-180X	MG R	18Ω 1/10W J
R1106	NRSA02J-270X	MG R	27Ω 1/10W J
R1131	NRSA02J-271X	MG R	270Ω 1/10W J
R1133	NRSA02J-101X	MG R	100Ω 1/10W J
R1134	NRSA02J-102X	MG R	1kΩ 1/10W J
R1135	NRSA02J-561X	MG R	560Ω 1/10W J
R1136	NRSA02J-182X	MG R	1.8kΩ 1/10W J
R1137	NRSA02J-152X	MG R	1.5kΩ 1/10W J
R1138	NRSA02J-821X	MG R	820Ω 1/10W J
R1139	NRSA02J-0R0X	MG R	0.0Ω 1/10W J
R1142	NRSA02J-101X	MG R	100Ω 1/10W J
R1145	NRSA02J-472X	MG R	4.7kΩ 1/10W J
R1146	NRSA02J-562X	MG R	5.6kΩ 1/10W J
R1161	NRSA02J-102X	MG R	1kΩ 1/10W J
R1162	NRSA02J-102X	MG R	1kΩ 1/10W J
R1164	NRSA02J-332X	MG R	3.3kΩ 1/10W J
R1165	NRSA02J-0R0X	MG R	0.0Ω 1/10W J
R1166	NRSA02J-333X	MG R	33kΩ 1/10W J
R1201	NRSA02J-471X	MG R	470Ω 1/10W J
R1202	NRSA02J-122X	MG R	1.2kΩ 1/10W J
R1209	NRSA02J-471X	MG R	470Ω 1/10W J
R1210	NRSA02J-392X	MG R	3.9kΩ 1/10W J
R1211	NRSA02J-471X	MG R	470Ω 1/10W J
R1212	NRSA02J-103X	MG R	10kΩ 1/10W J
R1215	NRSA02J-334X	MG R	330kΩ 1/10W J
R1216	NRSA02J-563X	MG R	56kΩ 1/10W J
R1218	NRSA02J-182X	MG R	1.8kΩ 1/10W J
R1219	NRSA02J-122X	MG R	1.2kΩ 1/10W J
R1251	NRSA02J-750X	MG R	75Ω 1/10W J
R1252	NRSA02J-221X	MG R	220Ω 1/10W J
R1253	NRSA02J-681X	MG R	680Ω 1/10W J
R1261	NRSA02J-563X	MG R	56kΩ 1/10W J
R1262	NRSA02J-333X	MG R	33kΩ 1/10W J
R1263	NRSA02J-101X	MG R	100Ω 1/10W J
R1264	NRSA02J-102X	MG R	1kΩ 1/10W J
R1265	NRSA02J-681X	MG R	680Ω 1/10W J
R1266	NRSA02J-331X	MG R	330Ω 1/10W J
R1267	NRSA02J-101X	MG R	100Ω 1/10W J
R1301	NRSA02J-681X	MG R	680Ω 1/10W J
R1302	NRSA02J-471X	MG R	470Ω 1/10W J
R1305	NRSA02J-393X	MG R	39kΩ 1/10W J
R1306	NRSA02J-183X	MG R	18kΩ 1/10W J
R1371-73	NRSA02J-151X	MG R	150Ω 1/10W J
R1374-76	NRSA02J-331X	MG R	330Ω 1/10W J
R1377-79	NRSA02J-101X	MG R	100Ω 1/10W J
R1380-82	QRZ0111-152	C R	1.5kΩ 1/2W K
R1383-85	QRL029J-123	OM R	12kΩ 2W J
R1386-88	NRSA02J-272X	MG R	2.7kΩ 1/10W J
R1421	NRSA02J-472X	MG R	4.7kΩ 1/10W J
R1422	QRE121J-331Y	C R	330Ω 1/2W J
R1423	QRX01GJ-1R8	MF R	1.8Ω 1W J
R1425	NRSA02J-823X	MG R	82kΩ 1/10W J
R1427	NRSA02J-392X	MG R	3.9kΩ 1/10W J
R1428	NRSA02J-473X	MG R	47kΩ 1/10W J
R1429	NRSA02J-223X	MG R	22kΩ 1/10W J
R1430-31	NRSA02J-0R0X	MG R	0.0Ω 1/10W J
R1441	QRE121J-102Y	C R	1kΩ 1/2W J
R1501	NRSA02J-361X	MG R	360Ω 1/10W J
R1502	NRSA02J-152X	MG R	1.5kΩ 1/10W J
R1504	NRSA02J-0R0X	MG R	0.0Ω 1/10W J
R1505	NRSA02J-822X	MG R	8.2kΩ 1/10W J
R1506	NRSA02J-222X	MG R	2.2kΩ 1/10W J
R1507	NRSA02J-563X	MG R	56kΩ 1/10W J
R1511	QRE121J-391Y	C R	390Ω 1/2W J
R1521	QRE121J-220Y	C R	22Ω 1/2W J

△ Symbol No.	Part No.	Part Name	Description
RESISTOR			
R1522	NRSA02J-391X	MG R	390Ω 1/10W J
R1523	NRSA02J-471X	MG R	470Ω 1/10W J
R1524	QRE121J-271Y	C R	270Ω 1/2W J
R1525	QRL029J-101	OM R	100Ω 2W J
R1526	QRL039J-152	OM R	1.5kΩ 3W J
R1542	QRL029J-151	OM R	150Ω 2W J
R1544	QRT039J-R47	MF R	0.47Ω 3W J
R1546	QRL029J-470	OM R	47Ω 2W J
R1561	QRK126J-4R7X	C R	4.7Ω 1/2W J
△ R1562	NRZ0032-7151X	MF R	7.15kΩ 1/10W±0.5%
△ R1563	NRZ0032-2941X	MF R	2.94kΩ 1/10W±0.5%
R1564	NRSA02J-153X	MG R	15kΩ 1/10W J
R1565	NRSA02J-0R0X	MG R	0.0Ω 1/10W J
R1566	NRSA02J-333X	MG R	33kΩ 1/10W J
R1567	NRSA02J-392X	MG R	3.9kΩ 1/10W J
R1568	NRSA02J-223X	MG R	22kΩ 1/10W J
R1581	QRJ146J-2R2X	C R	2.2Ω 1/4W J
R1582	QRL029J-223	OM R	22kΩ 2W J
R1583-84	QRE121J-563Y	C R	56kΩ 1/2W J
R1585	QRE121J-153Y	C R	15kΩ 1/2W J
R1586	QRE121J-472Y	C R	4.7kΩ 1/2W J
R1610	QRE121J-271Y	C R	270Ω 1/2W J
R1611	NRSA02J-472X	MG R	4.7kΩ 1/10W J
R1612	NRSA02J-333X	MG R	33kΩ 1/10W J
R1613	NRSA02J-272X	MG R	2.7kΩ 1/10W J
R1651	NRSA02J-102X	MG R	1kΩ 1/10W J
R1701	NRSA02J-563X	MG R	56kΩ 1/10W J
R1702-04	NRSA02J-103X	MG R	10kΩ 1/10W J
R1705	NRSA02J-823X	MG R	82kΩ 1/10W J
R1706	NRSA02J-103X	MG R	10kΩ 1/10W J
R1707	NRSA02J-0R0X	MG R	0.0Ω 1/10W J
R1708-09	NRSA02J-103X	MG R	10kΩ 1/10W J
R1710	NRSA02J-102X	MG R	1kΩ 1/10W J
R1712	NRSA02J-0R0X	MG R	0.0Ω 1/10W J
R1713	NRSA02J-102X	MG R	1kΩ 1/10W J
R1714	NRSA02J-471X	MG R	470Ω 1/10W J
R1715	NRSA02J-105X	MG R	10Ω 1/10W J
R1716	NRSA02J-154X	MG R	150kΩ 1/10W J
R1717	NRSA02J-563X	MG R	56kΩ 1/10W J
R1719	NRSA02J-102X	MG R	1kΩ 1/10W J
R1722	NRSA02J-0R0X	MG R	0.0Ω 1/10W J
R1723	NRSA02J-105X	MG R	10Ω 1/10W J
R1724	NRSA02J-102X	MG R	1kΩ 1/10W J
R1725	NRSA02J-103X	MG R	10kΩ 1/10W J
R1726	NRSA02J-562X	MG R	5.6kΩ 1/10W J
R1727	NRSA02J-103X	MG R	10kΩ 1/10W J
R1728	NRSA02J-562X	MG R	5.6kΩ 1/10W J
R1729	NRSA02J-153X	MG R	15kΩ 1/10W J
R1730	NRSA02J-682X	MG R	6.8kΩ 1/10W J
R1732	NRSA02J-102X	MG R	1kΩ 1/10W J
R1734	NRSA02J-182X	MG R	1.8kΩ 1/10W J
R1735	NRSA02J-102X	MG R	1kΩ 1/10W J
R1736	NRSA02J-332X	MG R	3.3kΩ 1/10W J
R1737	NRSA02J-472X	MG R	4.7kΩ 1/10W J
R1738	NRSA02J-102X	MG R	1kΩ 1/10W J
R1739	NRSA02J-472X	MG R	4.7kΩ 1/10W J
R1740	NRSA02J-102X	MG R	1kΩ 1/10W J
R1741	NRSA02J-472X	MG R	4.7kΩ 1/10W J
R1742	NRSA02J-102X	MG R	1kΩ 1/10W J
R1743-47	NRSA02J-0R0X	MG R	0.0Ω 1/10W J
R1751	NRSA02J-103X	MG R	10kΩ 1/10W J
R1752	NRSA02J-472X	MG R	4.7kΩ 1/10W J
R1753	NRSA02J-153X	MG R	15kΩ 1/10W J
R1754	NRSA02J-103X	MG R	10kΩ 1/10W J
R1755	NRSA02J-472X	MG R	4.7kΩ 1/10W J
R1756	NRSA02J-153X	MG R	15kΩ 1/10W J
R1757-58	NRSA02J-122X	MG R	1.2kΩ 1/10W J
R1759	NRSA02J-0R0X	MG R	0.0Ω 1/10W J
R1763	NRSA02J-153X	MG R	15kΩ 1/10W J
R1765-66	NRSA02J-0R0X	MG R	0.0Ω 1/10W J

△ Symbol No.	Part No.	Part Name	Description
RESISTOR			
R1767	NRSA02J-474X	MG R	470kΩ 1/10W J
R1768	NRSA02J-473X	MG R	47kΩ 1/10W J
R1769	NRSA02J-102X	MG R	1kΩ 1/10W J
R1771	NRSA02J-0R0X	MG R	0.0Ω 1/10W J
R1804-06	NRSA02J-101X	MG R	100Ω 1/10W J
△ R1901	QRF054K-2R2	UNF R	2.2Ω 5W K
△ R1921	QRX029J-2R7	MF R	2.7Ω 2W J
△ R1922	QRJ149J-330	C R	33Ω 1/4W J
R1923	QRJ149J-470	C R	47Ω 1/4W J
R1924	QRN141J-224Y	C R	220kΩ 1/4W J
R1925	QRN141J-103Y	C R	10kΩ 1/4W J
△ R1926	QRF154J-331	UNF R	330 Ω 15W J
R1952	NRSA02J-222X	MG R	2.2kΩ 1/10W J
R1953	NRSA02J-122X	MG R	1.2kΩ 1/10W J
R1954	QRE121J-272Y	C R	2.7kΩ 1/2W J
R1955	NRSA02J-223X	MG R	22kΩ 1/10W J
R1956	QRE121J-101Y	C R	100Ω 1/2W J
R1957	NRSA02J-472X	MG R	4.7kΩ 1/10W J
R1958	NRSA02J-563X	MG R	56kΩ 1/10W J
△ R1981	QRZ904I-275	C R	2.7MΩ 1/2W K

CAPACITOR

C1001	QETN1HM-106Z	E CAP.	10μF 50V M
C1003	QETN1AM-477Z	E CAP.	470μF 10V M
C1004	QETN1HM-106Z	E CAP.	10μF 50V M
C1005	NCB21HK-103X	C CAP.	0.01μF 50V K
C1006	QETN1EM-476Z	E CAP.	47μF 25V M
C1011-12	NCB21HK-102X	C CAP.	1000pF 50V K
C1013	NCB21HK-104X	CHIP CAP.	0.1μF 50V K
C1101-04	NCB21HK-103X	C CAP.	0.01μF 50V K
C1105	QETN1CM-107Z	E CAP.	100μF 16V M
C1106	NCB21HK-103X	C CAP.	0.01μF 50V K
C1107	NRSA02J-0R0X	MG R	0.0Ω 1/10W J
C1108	NDC21HJ-680X	C CAP.	68pF 50V J
C1131	QFV21HJ-154Z	MF CAP.	0.15μF 50V J
C1132	NCB21HK-152X	C CAP.	1500pF 50V K
C1133	QETN1HM-474Z	E CAP.	0.47μF 50V M
C1134	NCB21HK-102X	C CAP.	1000pF 50V K
C1135	NCB21HK-103X	C CAP.	0.01μF 50V K
C1138	QETN1EM-476Z	E CAP.	47μF 25V M
C1161	QETN1CM-107Z	E CAP.	100μF 16V M
C1162	NCB21HK-103X	C CAP.	0.01μF 50V K
C1163-64	NDC21HJ-470X	C CAP.	47pF 50V J
C1166	NCB21HK-103X	C CAP.	0.01μF 50V K
C1167	NCB21HK-392X	C CAP.	3900pF 50V K
C1168	QETN1HM-106Z	E CAP.	10μF 50V M
C1169	NCB21HK-103X	C CAP.	0.01μF 50V K
C1171	QETN1HM-105Z	E CAP.	1μF 50V M
C1172	NCB21HK-102X	C CAP.	1000pF 50V K
C1207	QETN1HM-474Z	E CAP.	0.47μF 50V M
C1208	QETN1HM-106Z	E CAP.	10μF 50V M
C1209-10	QETN1HM-105Z	E CAP.	1μF 50V M
C1214	QETN1HM-106Z	E CAP.	10μF 50V M
C1215	QETN1HM-105Z	E CAP.	1μF 50V M
C1217	QETN1EM-476Z	E CAP.	47μF 25V M
C1251	NCB21HK-104X	CHIP CAP.	0.1μF 50V K
C1255	QETN1HM-106Z	E CAP.	10μF 50V M
C1261	QENC1CM-476Z	BP E CAP.	47μF 16V M
C1303	NCB21HK-103X	C CAP.	0.01μF 50V K
C1304	QETN1CM-107Z	E CAP.	100μF 16V M
C1305	NDC21HJ-100X	C CAP.	10pF 50V J
C1306	NCB21HK-223X	C CAP.	0.022μF 50V K
C1307	QETN1HM-474Z	E CAP.	0.47μF 50V M
C1309	NDC21HJ-2R0X	C CAP.	2.0pF 50V J
C1374-75	NCS21HJ-271X	C CAP.	270pF 50V J
C1376	NCS21HJ-331X	C CAP.	330pF 50V J
C1377	QETN1CM-107Z	E CAP.	100μF 16V M
△ C1392	QCZ012I-102	C CAP.	1000pF 3kV Z
C1401	QETN1HM-225Z	E CAP.	2.2μF 50V M
C1402	QBHC1CK-225Z	TAN. CAP.	2.2μF 16V K
C1403	NCB31HK-102X	C CAP.	1000pF 50V K
C1421	NCB21HK-103X	C CAP.	0.01μF 50V K
C1423	QCS32HJ-180Z	C CAP.	18pF 500V J

△ Symbol No.	Part No.	Part Name	Description
CAPACITOR			
C1424	QETN1VM-107Z	E CAP.	100μF 35V M
C1426	QCB32HK-102Z	C CAP.	1000pF 500V K
C1427	QETN1EM-108Z	E CAP.	1000pF 25V M
C1428	QFV21HJ-474Z	MF CAP.	0.47μF 50V J
C1429	QFV21HJ-224Z	MF CAP.	0.22μF 50V J
C1501	QETN1CM-107Z	E CAP.	100μF 16V M
C1502	QETN1HM-225Z	E CAP.	2.2μF 50V M
C1503	NCB21HK-223X	C CAP.	0.022μF 50V K

C1505	QETN1HM-106Z	E CAP.	10μF 50V M
C1511	QETN1EM-476Z	E CAP.	47μF 25V M
C1521	NCB21HK-332X	C CAP.	3300pF 50V K
C1522	NCB21HK-822X	C CAP.	8200pF 50V K
C1523	QEM61HK-105Z	E CAP.	1μF 50V K
△ C1524	QFZ0198-56Z	MPP CAP.	5600pF1.5kVH±3%
△ C1525	QETN2CM-476Z	E CAP.	47μF 160V M
△ C1526	QFZ0119-404	MPP CAP.	0.4μF 200V±3%
C1543	QETM1VM-108	E CAP.	1000μF 35V M
C1544-45	QETN1CM-107Z	E CAP.	100μF 16V M
C1546	QETM1CM-228	E CAP.	2200μF 16V M
C1548	QETN1CM-227Z	E CAP.	220μF 16V M
△ C1561	QETN1HM-106Z	E CAP.	10μF 50V M
C1562	QETN1HM-475Z	E CAP.	4.7μF 50V M
C1563	NCB21HK-103X	C CAP.	0.01μF 50V K
△ C1581	QETN2EM-106Z	E CAP.	10μF 250V M

C1582	NCB21HK-473X	C CAP.	0.047μF 50V K
C1584	QFLC2AJ-104Z	M CAP.	0.1μF 100V J
C1601	QETN1HM-474Z	E CAP.	0.47μF 50V M
C1602	QETN1CM-108Z	E CAP.	1000pF 16V M
C1603	NCB21HK-103X	C CAP.	0.01μF 50V K
C1604	QETN1CM-477Z	E CAP.	470μF 16V M
C1611	QETN1HM-105Z	E CAP.	1μF 50V M
C1651	QETN1HM-106Z	E CAP.	10μF 50V M
C1701	NDC21HJ-560X	C CAP.	56pF 50V J
C1703	NCB21HK-102X	C CAP.	1000pF 50V K
C1704	NCB21HK-103X	C CAP.	0.01μF 50V K
C1705	NDC21HJ-151X	C CAP.	150pF 50V J
C1706	NCB21HK-104X	CHIP CAP.	0.1μF 50V K
C1707	QETN1HM-105Z	E CAP.	1μF 50V M
C1708	NCS21HJ-221X	C CAP.	220pF 50V J
C1709	NCS21HJ-102X	C CAP.	1000pF 50V J

C1710	NDC21HJ-681X	C CAP.	680pF 50V J
C1711	QETN1HM-474Z	E CAP.	0.47μF 50V M
C1712	NCB21HK-102X	C CAP.	1000pF 50V K
C1714	NCB21HK-103X	C CAP.	0.01μF 50V K
C1716	QETN1EM-476Z	E CAP.	47μF 25V M
C1717	NCB21HK-104X	CHIP CAP.	0.1μF 50V K
C1718	NCB21HK-103X	C CAP.	0.01μF 50V K
C1719-20	QETN1CM-107Z	E CAP.	100μF 16V M
C1721	NCB21HK-104X	CHIP CAP.	0.1μF 50V K
C1722-23	NDC21HJ-5R0X	C CAP.	5.0pF 50V J
C1724	NCB21HK-103X	C CAP.	0.01μF 50V K
C1725	QETN1AM-227Z	E CAP.	220μF 10V M
C1726	NDC21HJ-470X	C CAP.	47pF 50V J
C1735	NCB21HK-103X	C CAP.	0.01μF 50V K
C1751	QETN1EM-476Z	E CAP.	47μF 25V M
C1801-03	QENC1HM-474Z	BP E CAP.	0.47μF 50V M

△ C1901	QFZ9040-104	MF CAP.	0.1μF AC275V M
△ C1902	QFZ9040-473	MF CAP.	0.047μF AC275V M
△ C1911	QCZ9074-472	C CAP.	4700pF AC250V M
△ C1912	QCZ9074-472	C CAP.	4700pF AC250V M
△ C1913	QCZ9074-472	C CAP.	4700pF AC250V M
△ C1914	QEZ0169-337	E CAP.	330μF AC200V M
C1921	QETN2CM-106Z	E CAP.	10μF 160V M
C1951	QETN1EM-227Z	E CAP.	220μF 200V M

C1953	QETN1EM-477Z	E CAP.	470μF 25V M
C1954	NCB21HK-473X	C CAP.	0.047μF 50V K
C1956	QETN1HM-106Z	E CAP.	10μF 50V M
C1958	QETN1EM-107Z	E CAP.	100μF 25V M
C1959	QETN1HM-226Z	E CAP.	22μF 50V M
△ C1981	QCZ9073-33Z	C CAP.	3300pF AC250V M

TRANSFORMER

T1131	QQR0907-001	I. F. TRANSFORMER
T1161	CEL003-109J3	S. I. F. TRANSF.

△ Symbol No. Part No. Part Name Description

TRANSFORMER

△ T1521	CE41106-00CJ1	DRIVE TRANSF.	
△ T1522	QQH0029-001	H. V. TRANSF.	
△ T1901	QQT0198-001	POWER TRANSF.	

COIL

L1001	QQL03BJ-150Z	COIL	15μH J
L1003	QQL03BJ-5R6Z	COIL	5.6μH J
L1102	QQLZ014-R22	PEAKING COIL	
L1104	QQL03BJ-680Z	COIL	68μH J
L1131	QQL03BJ-220Z	COIL	22μH J
L1161	QQL03BJ-680Z	COIL	68μH J
L1162	QQL03BJ-220Z	COIL	22μH J
△ L1374	QQLZ018-500	HEATER CHOKE	
L1391	QQL03BJ-390Z	COIL	39μH J
L1701	QQL03BJ-4R7Z	COIL	4.7μH J
L1709	QQL03BJ-100Z	COIL	10μH J

DIODE

D1001	MTZJ33B-T2	ZENER DIODE	
D1201	1S5133-T2	SI. DIODE	
D1202	1S5133-T2	SI. DIODE	
D1203	1S5133-T2	SI. DIODE	
D1251	MTZJ9.1C-T2	ZENER DIODE	
D1421	1N4003-T2	SI. DIODE	
D1422	MTZJ75-T2	ZENER DIODE	
D1423	1S5133-T2	SI. DIODE	
D1501	MTZJ9.1C-T2	ZENER DIODE	
D1511	MTZJ3.3A-T2	ZENER DIODE	
D1541	RGP10J-5025-T3	SI. DIODE	
D1542	1SR35-400A-T2	SI. DIODE	
D1544	RU3AM-LFC4	SI. DIODE	
D1561	1S581-T2	SI. DIODE	
△ D1562	MA4068N/Z1/-T2	ZENER DIODE	
D1563	1S5133-T2	SI. DIODE	
△ D1581	RH15-T3	SI. DIODE	
D1582	RGP10J-5025-T3	SI. DIODE	
D1583	MTZJ9.1C-T2	ZENER DIODE	
D1601	MTZJ12C-T2	ZENER DIODE	
D1651	MTZJ9.1C-T2	ZENER DIODE	
D1703	MTZJ5.6A-T2	ZENER DIODE	
D1704	1S5133-T2	SI. DIODE	
D1705	1S5133-T2	SI. DIODE	
D1706	1S5133-T2	SI. DIODE	
D1707	1S5133-T2	SI. DIODE	
D1711	1S5133-T2	SI. DIODE	
D1717-18	MTZJ5.6A-T2	ZENER DIODE	
D1751	SLR-342VR3F	L.E.D.	
D1804	MTZJ5.1B-T2	ZENER DIODE	
D1805	1S5133-T2	SI. DIODE	
△ D1911	D25BA60	BRIDGE DIODE	
D1941-44	1SR35-400A-T2	SI. DIODE	
D1951	MTZJ12C-T2	ZENER DIODE	
D1953	1SR35-400A-T2	SI. DIODE	
D1957	1S5133-T2	SI. DIODE	
D1958	1S5133-T2	SI. DIODE	

TRANSISTOR

Q1101	2SC5083/L-P/-T	SI. TRANSISTOR	
Q1131-32	2SC2412K/QR/-X	SI. TRANSISTOR	
Q1161	2SC2412K/QR/-X	SI. TRANSISTOR	
Q1203	2SC2412K/QR/-X	SI. TRANSISTOR	
Q1261	2SC2412K/QR/-X	SI. TRANSISTOR	
Q1262	2SA1037AK/QR/-X	SI. TRANSISTOR	
Q1371-73	2SC4722/NP/	SI. TRANSISTOR	
Q1521	2SC2655/Y/-T	SI. TRANSISTOR	
△ Q1522	2SD1876-YD	SI. TRANSISTOR	H. OUT
Q1561	2SC2785/JH/-T	SI. TRANSISTOR	
Q1562	2SA933AS/QR/-T	SI. TRANSISTOR	
Q1601	DTC323TK-X	DIGI. TRANSISTOR	
Q1701-03	2SC2412K/QR/-X	SI. TRANSISTOR	
Q1704	DTC323TK-X	DIGI. TRANSISTOR	
Q1951	2SC2412K/QR/-X	SI. TRANSISTOR	
Q1952	2SA933AS/QR/-T	SI. TRANSISTOR	
Q1953	2SC2412K/QR/-X	SI. TRANSISTOR	

△ Symbol No. Part No. Part Name Description

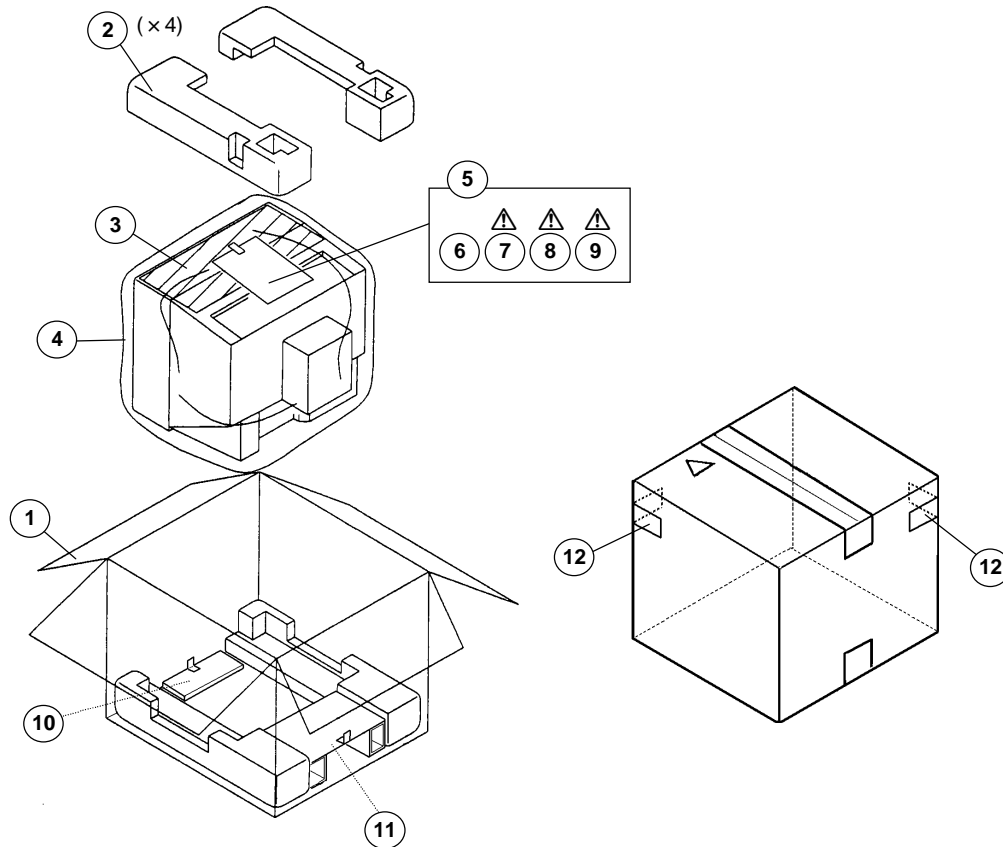
IC

IC1001	AN7805F	I. C. (MONO-ANA)	
IC1201	TA1242N	I. C. (MONO-ANA)	
△ IC1421	LA7830	I. C. (MONO-ANA)	
IC1541-42	AN7809F	I. C. (MONO-ANA)	
△ IC1601	LA4525	I. C. (MONO-ANA)	
IC1701	M37272MA-313SP	I. C. (MICRO-COMP)	
IC1702	AT24C02-C20110	I. C.	(SERVICE)
IC1703	L78LRO5E-MA	I. C. (MONO-ANA)	
IC1751	GP1U281Q	IFR DETECT UNIT	
△ IC1921	STR30134	I. C. (H)	
IC1951	TA78L009AP-T	I. C. (MONO-ANA)	

OTHERS

CF1001	LC30190-001B-A	L. E. D. HOLDER	
CF1131	QAX0349-001	CERAMIC FILTER	
CF1161	CE41505-001	CERAMIC FILTER	
CF1501	SFSH4.5MBC	CERAMIC FILTER	
CF1701	CSB503F30-T2	CER. RESONATOR	
CF1702	CST8.00MTW	CER. RESONATOR	
CL1001	QAX0428-001	CER. RESONATOR	
CL1002	QZW0028-002	WIRE CLAMP	
△ CN10PW	QZWO028-001	WIRE CLAMP	
△ F1901	QMPD200-200-JC	POWER CORD	
△ F1902	QMF0007-5R0J1	FUSE	5.0A
FC1901	QMF0007-1R25J1	FUSE	1.25A
FC1902	CEMG002-001Z	FUSE CLIP	(x2)
△ FR1720	CEMG002-001Z	FUSE CLIP	(x4)
J1001	QRZ9017-820	F R	82 Ω 1/4W J
J1002	QNN0281-002	PIN JACK	
J1601	QNN0281-003	PIN JACK	
△ LF1901	QMS3010-C01	JACK	
△ RY1901	QQR0883-001	LINE FILTER	
S1751	QSK0083-001	RELAY	or QSK0084-001
S1752	QSW0619-003Z	PUSH SWITCH	MENU
S1753	QSW0619-003Z	PUSH SWITCH	CH-
S1754	QSW0619-003Z	PUSH SWITCH	CH+
S1755	QSW0619-003Z	PUSH SWITCH	VOL-
△ S1756	QSW0619-003Z	PUSH SWITCH	VOL+
SF1101	CE42589-201	SAW FILTER	POWER
△ SK1371	CE42554-001	C. R. T. SOCKET	
△ TH1901	CEKP007-002	P. THERMISTOR	
△ TU1001	QAU0199-001	TUNER	
△ VA1901	ERZV10V361CS	VARISTOR	
X1301	QAX0310-001Z	CRYSTAL	

PACKING



PACKING PARTS LIST

△ Ref.No.	Part No.	Part Name	Description
1	LC10181-014A-A	PACKING CASE	4pcs in 1set
2	LC10057-002C-A	CUSHION ASSY	
3	CP30055-005-A	TOP COVER	
4	CP30056-003-A	POLY BAG	
5	QPA02503505	POLY BAG	
6	RM-C205-1C	REMOCON UNIT	
△ 7	LCT1015-001A-A	INST BOOK	
△ 8	CM36042-00A-H	ROD ANTENNA	
△ 9	CE42024-00BJ1	MATCHING BOX	
10	LC30746-001A-A	PACKING CUSHION	
11	LC30779-001A-A	PACKING PAD	
12	CM36616-001-A	CORNER LABEL	